

XVR301-G3 Series



Key Features

- Support H.265/H.264 video formats
- Support audio over coaxial cable(only for TVI cameras)
- Support TVI, AHD, CVI, CVBS, IP cameras with adaptive access
- 4/8-channel BNC input
- Support 1-ch HDMI output, 1-ch VGA output at up to 1920*1080
- Long transmission distance over coaxial cable
- Support mainstream cameras of ONVIF and RTSP protocols

Specifications

Model	XVR301-04G3	XVR301-08G3
Video/Audio Input		
Analog Video Input	4-ch, BNC	8-ch, BNC
IP Video Input	2-ch(only IP up to 6ch), each channel up to 4MP	4-ch(only IP up to 8ch), each channel up to 4MP
Supported Analog Camera Types	Support AHD input: 5MP@20fps 4MP@30fps 1080P@30fps 720P@60fps Support TVI input: 5MP@20fps 4MP@30fps 1080P@30fps 720P@60fps Support CVI input: 5MP@20fps	Support AHD input: 5MP@12fps 4MP@15fps 1080P@30fps 720P@30fps Support TVI input: 5MP@12fps 4MP@15fps 1080P@30fps 720P@30fps Support CVI input: 1080P@30fps

	4MP@30fps 1080P@30fps 720P@30fps Support CVBS input	720P@30fps Support CVBS input		
Audio Input	1-ch, RCA			
Audio Compression	G.711U			
Video/Audio Output				
VGA Output	1920x1080p/60Hz, 1920x1080p/50Hz, 1600x1200/60Hz, 1280x1024/60Hz, 1280x720/60Hz, 1024x768/60Hz			
HDMI Output	1920x1080p/60Hz, 1920x1080p/50Hz, 1600x1200/60Hz, 1280x1024/60Hz, 1280x720/60Hz, 1024x768/60Hz			
Audio Output	1-ch, RCA			
Synchronous Playback	HD:2-ch SD:4-ch	HD:4-ch SD:8-ch		
Live view display	HDMI/VGA: 1/4/6/8/9	HDMI/VGA: 1/4/6/8/9/16		
Two-way Audio	1-ch, RCA			
Network				
Incoming Bandwidth	16Mbps (Up to 24Mbps after all analog channel conversion)	32Mbps (Up to 40Mbps after all analog channel conversion)		
Outgoing Bandwidth	48Mbps	64Mbps		
Remote Users	128			
Protocols	TCP/IP, P2P, UPnP, DHCP, HTTP, HTTPS, DNS, DDNS, SMTP			
Browser	IE(IE10/11) for Windows Firefox (version 52.0 and above) for Windows Chrome(version 45 and above) for Windows Edge(version 79 and above) for Windows			
Encoding				
Recording Resolution	5MP Lite/4MP Lite/1080P/720P/CIF	5MP Lite/4MP Lite /1080P/1080P Lite/720P/CIF		
Recording Frame Rate	Main stream: 5MP Lite@12fps	Sub stream: D1@12fps	Main stream: 5MP Lite@6fps	Sub stream: D1@6fps
	4MP Lite@15fps	D1@15fps	4MP Lite@8fps	D1@8fps
	1080P@15fps	D1@15fps	1080P Lite@12fps	D1@12fps
	720P@25fps	D1@25fps	720P@12fps	D1@12fps
Audio Sample Rate	8KHz,16 bit per channel			
Audio Bit Rate	64Kbps per channel			

Decoding

Capability	Analog: 2 x 5MP Lite@12, 2 x 4MP Lite@15, 2 x 1080P@15 IP: 1 x 4MP@30, 2 x 1080P@30	Analog: 4 x 5MP Lite@6,4x 4MP Lite@8, 4x 1080P Lite @12fps IP: 1 x 4MP@30, 2 x 1080P@30
------------	----------------------------------------------------------------------------------------	--------------------------------------------------------------------------------------------

Hard Disk

SATA	1 SATA interface
Capacity	Up to 8TB for each HDD (The maximum HDD capacity varies with environment temperature)

General Alarm

General Alarm	Motion detection
Alert Alarm	IP Conflict, Network Disconnected, Disk offline, Disk Abnormal, Illegal Access, Hard Disk Space Low, Hard Disk Full, Recording/Snapshot Abnormal

External Interface

Network Interface	1 RJ45 10M/100M self-adaptive Ethernet Interface
USB Interface	Rear panel: 2 x USB2.0

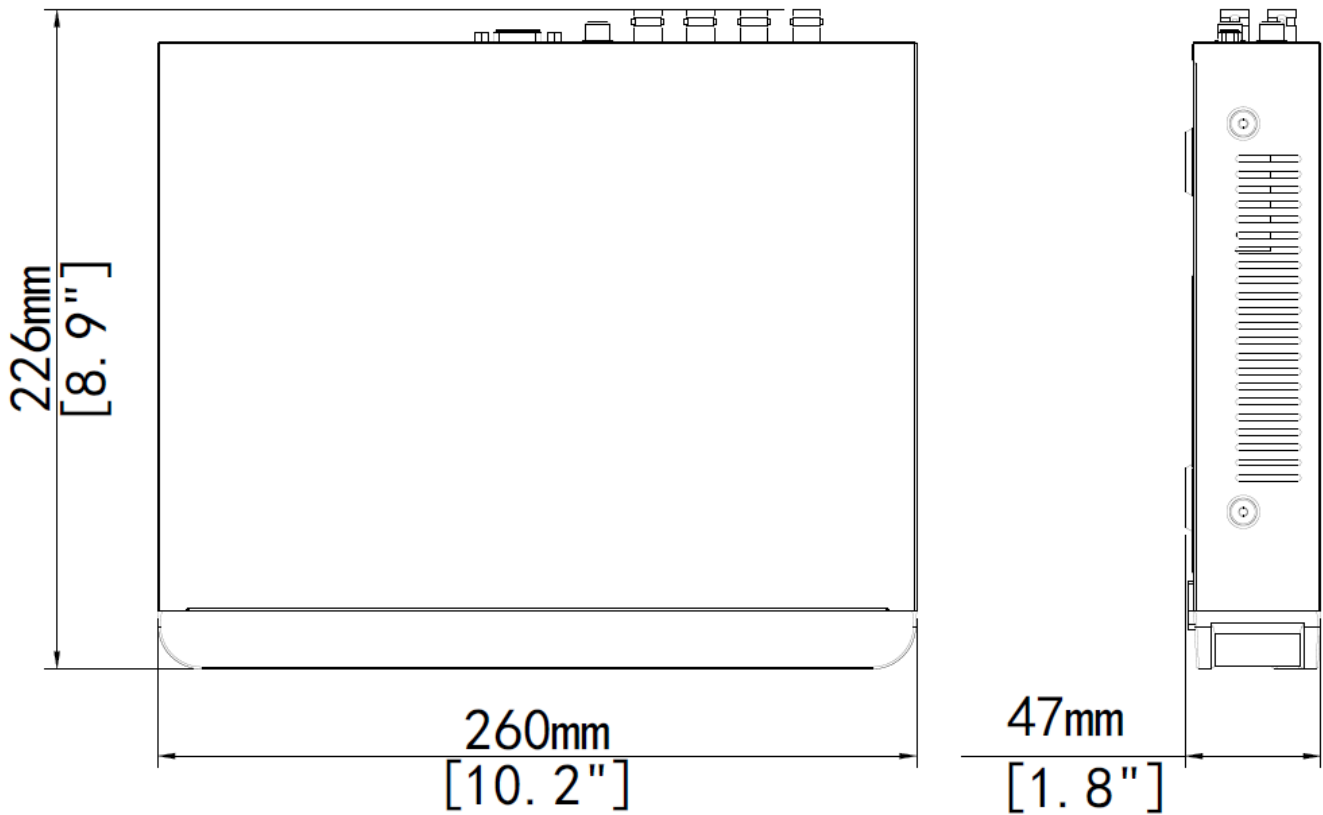
General

Power Supply	12V DC Power Consumption: ≤ 8 W(without HDD)
Working Environment	-10°C ~ + 55°C (+14°F ~ +131°F), Humidity ≤ 90% RH(non-condensing)
Dimensions(W×D×H)	260mm ×226mm× 47mm (10.2" × 8.9"×1.8")
Weight (without HDD)	≤1.1 Kg (2.42lb)

Certification

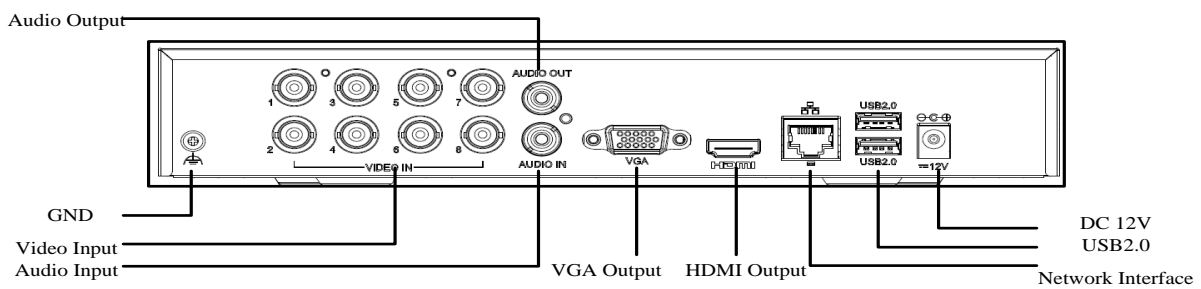
Certification	UL CE FCC RoHS WEEE
---------------	---------------------------------

Dimensions



Rear Panel

Take XVR301-08G3 for example



Zhejiang Uniview Technologies Co., Ltd.

Building No.10, Wanlun Science Park, Jiangling Road 88, Binjiang District, Hangzhou, Zhejiang, China

Email: overseasbusiness@uniview.com; globalsupport@uniview.com

<http://www.uniview.com>

©2022 Zhejiang Uniview Technologies Co., Ltd. All rights reserved.

* Product specifications and availability are subject to change without notice.